

UES Drawer Slides are easy to install and available in various lengths to suit a range of applications. Perfect for bathroom vanity, kitchen furniture, office furniture, home cabinet.

- Easy to install
- Additional ball bearings for a super smooth glide
- Screws included
- Lockable

Material

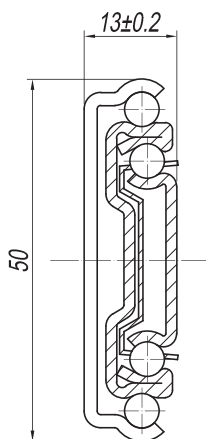
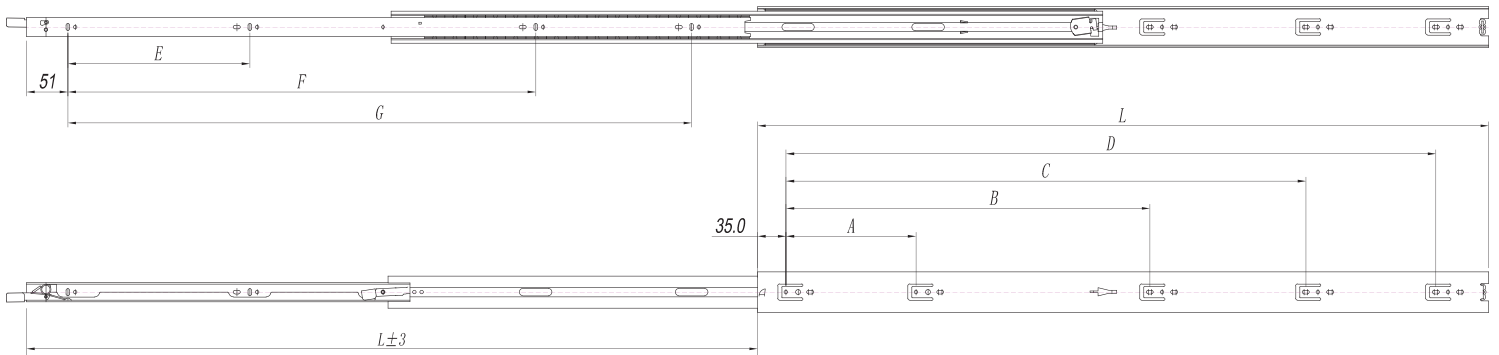
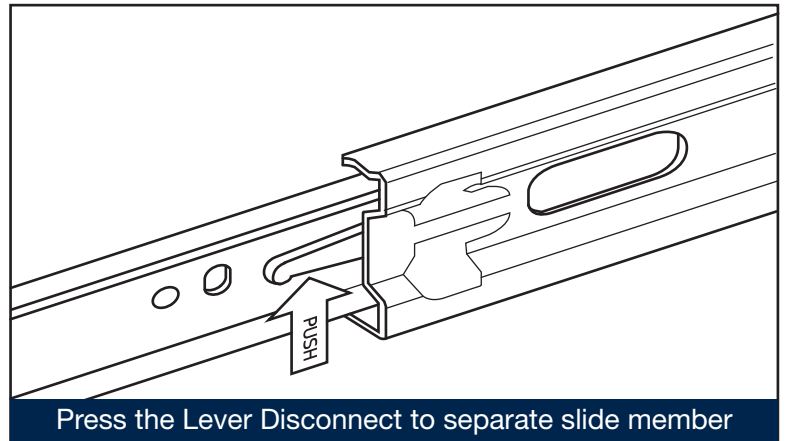
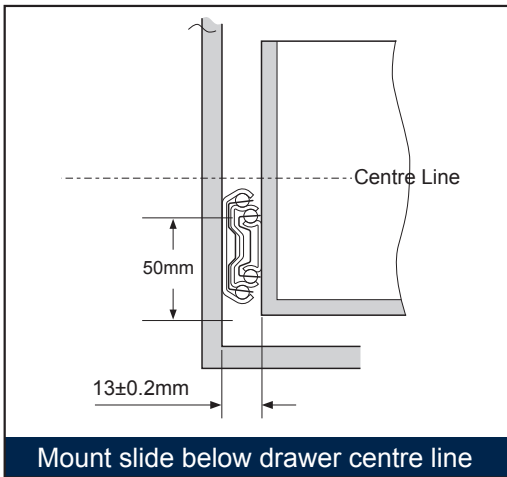
Steel

Finish

Zinc Plated

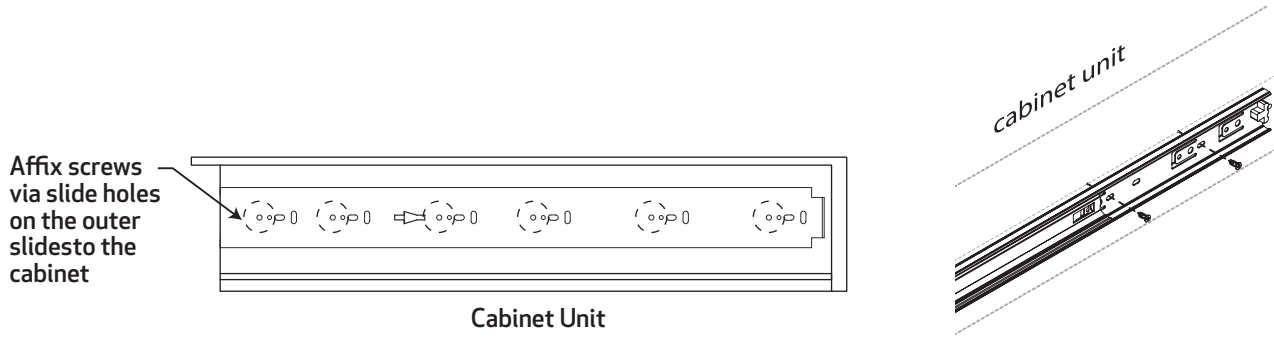
Features

- Full extension
- Profile: 50mmX13mm



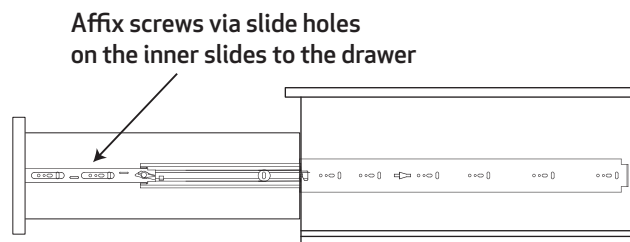
SIZE	L	A	B	C	D	E	F	G
12"	300	192				192		
14"	350	224				256		
16"	400	256				256		
18"	450	64	256	352		96	320	
20"	500	64	256	384		96	384	
22"	550	128	320	416		128	384	
24"	600	128	352	480		160	416	
26"	650	160	352	512		192	384	512
28"	700	160	384	544		192	416	576
30"	750	160	448	608		192	448	608
32"	800	128	384	544	672	192	480	672
34"	850	128	416	576	736	224	512	704
36"	900	160	448	640	800	224	576	768

1. Screw fixing the slides to the inside of the cabinet unit through slide holes and make sure both slides are mounted vertically and horizontally parallel. Use as many screws as you think is necessary for the cabinet unit. Repeat to mount the second drawer slide on the opposite side of the cabinet.



2. Screw fixing the drawer unit to the cabinet unit through slides holes. When marking hole placements you **MUST NOT** drill through the slide holes during installation. Doing this will create metal filings which lodge in the tracks resulting in rough running and ultimately, failure of the slides.

Depending on substrate, stainless steel 'flat head' hex screws with NY-lock nuts or stainless steel rivets are recommended.



3. With the internal member attached to drawer unit and external member attached to cabinet unit, now it's time to place your drawer into the cabinet. The drawer should slide in without issue. If the slide does not fit, unfasten screws slightly and adjust slide members to correct position. Once this is done, repeat starting from step 1 for all remaining drawers.

Our slides are designed to be mounted horizontally and paired side by side. Mounting them vertically one above the other or in a flat position will void the warranty.

