

UES Drawer Slides are easy to install and available in various lengths to suit a range of applications. Perfect for tool boxes, caravans, industrial workstations, medical equipment and ute trays.

- Perfect for heavy duty applications and sheet metal
- Easy to install
- Additional ball bearings for a super smooth glide

Material

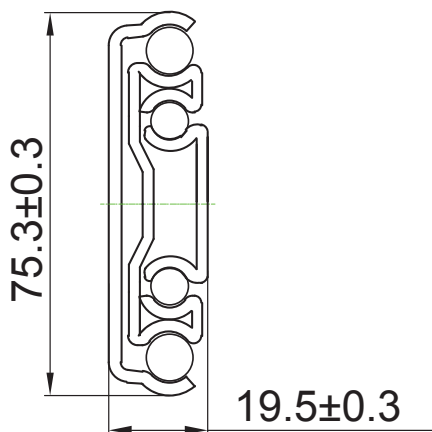
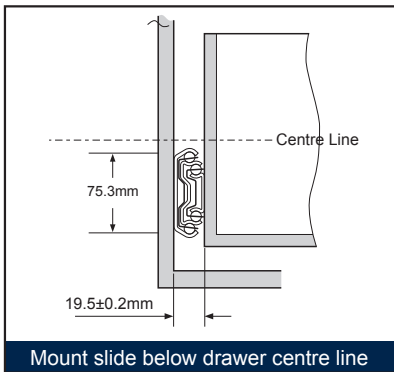
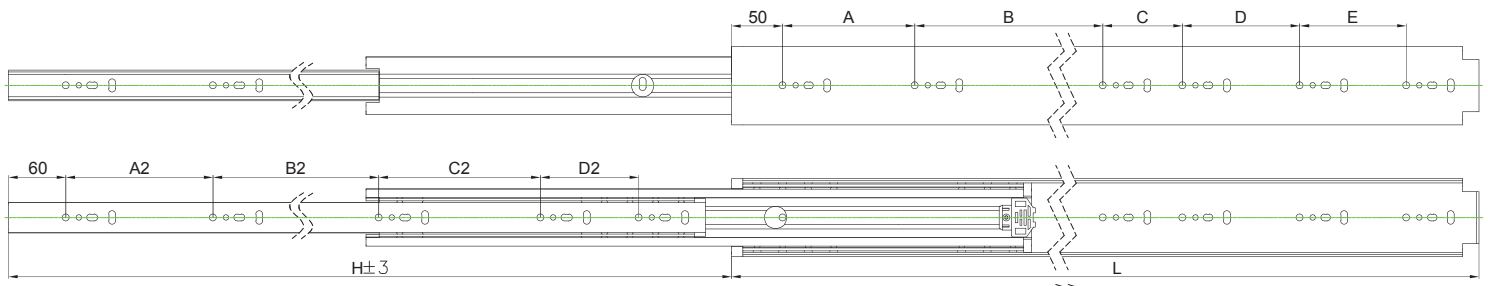
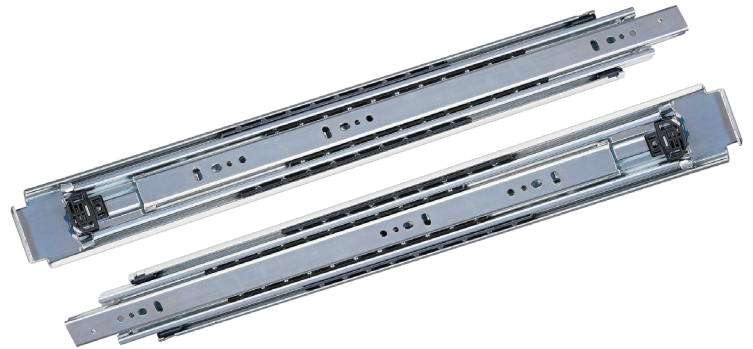
Steel

Finish

Zinc Plated

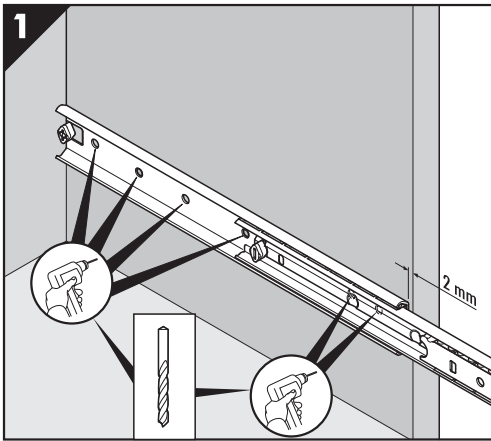
Features

- Full extension
- Profile: 75.3mmX19.5mm



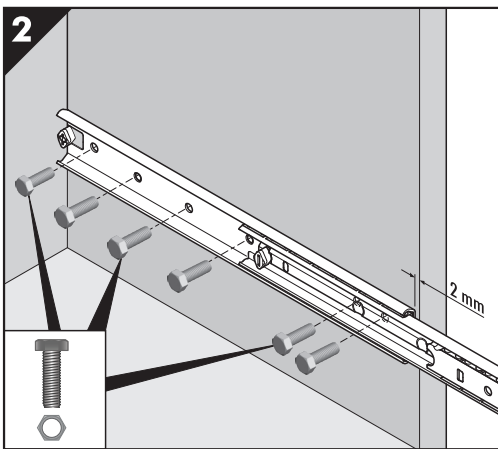
SIZE	L	A	B	C	D	E	A2	B2	C2	D2	H
14"	350	192					192				350
16"	400	224					224				400
18"	450	192	128				256				450
20"	500	224	160				288				500
22"	550	256	160				352				550
24"	600	256	192				288	128			600
26"	650	128	192	192			320	160			650
28"	700	160	192	192			128	224	160		700
30"	750	160	224	224			160	256	160		750
32"	800	192	224	224	224		160	256	192		800
34"	850	192	256	224			160	320	192		850
36"	900	192	288	224			160	352	192		900
38"	950	192	288	256			160	352	256		950
40"	1000	192	256	224	160		192	352	256		1000
42"	1050	192	320	224	160		192	352	288		1050
44"	1100	224	320	224	192		192	352	288		1100
46"	1150	224	320	224	224		224	352	320		1150
48"	1200	224	320	256	224		224	384	320		1200
50"	1250	224	320	256	256		224	384	352		1250
52"	1300	224	352	256	256		256	384	352		1300
54"	1350	256	352	256	288		256	384	384		1350
56"	1400	256	384	288	288		288	416	384		1400
58"	1450	320	352	288	320		320	448	384		1450
60"	1500	320	384	288	320		320	480	416		1500
62"	1550	320	416	288	384		320	512	544		1550
64"	1600	320	416	320	416		352	512	576		1600
66"	1650	352	416	384	384		384	512	576		1650
68"	1700	288	352	384	256	288	320	352	384	416	1700
70"	1750	288	352	384	288	320	320	352	416	448	1750
72"	1800	288	352	320	384	320	320	384	448	480	1800
74"	1850	288	352	320	384	320	320	384	448	480	1850
76"	1900	288	352	320	384	320	320	384	448	512	1900
78"	1950	288	352	320	384	352	320	384	448	544	1950
80"	2000	288	352	320	384	352	320	384	448	544	2000

Installation Instructions



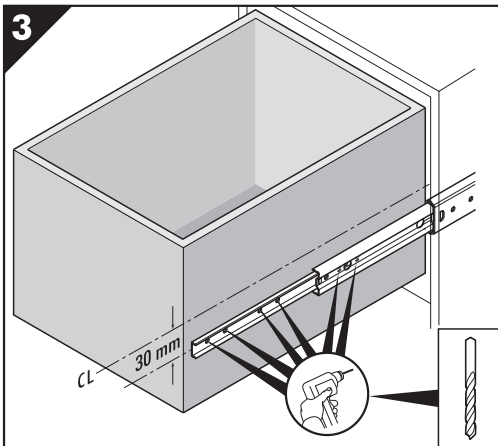
Marking holes to fix the external member of the slide to the cabinet.
When marking hole placements you **MUST NOT** drill through the slide holes during installation. Doing this will create metal filings which lodge in the tracks resulting in rough running and ultimately, failure of the slides.

Hole locations and quantity are indicative purpose only.



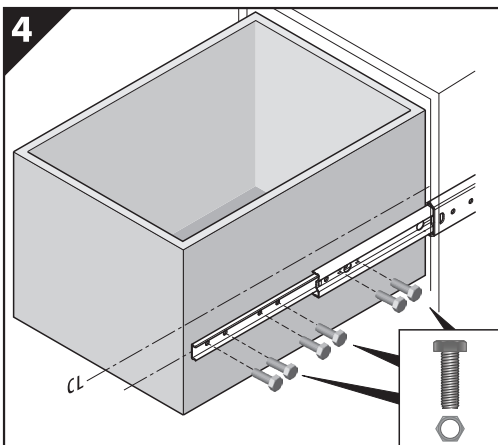
Affix nuts & bolts to the slides inside of the cabinet unit through slide holes and make sure both slides are mounted vertically and horizontally parallel. Use as many nuts & bolts as you think is necessary for the cabinet unit.

The slides can also be welded to the cabinet depending on its application.



Marking holes to fix the internal member of the slide to the drawer. When marking hole placements you **MUST NOT** drill through the slide holes during installation. Doing this will create metal filings which lodge in the tracks resulting in rough running and ultimately, failure of the slides.

Hole locations and quantity are indicative purpose only.



Affix nuts and bolts to the drawer unit. The drawer should slide in without issue.

Once this is done, repeat starting from step 1 for all remaining drawers.

Our slides are designed to be mounted horizontally and paired side by side. Mounting them vertically one above the other or in a flat position will void the warranty.

The slides can also be welded to the cabinet depending on its application.