

Goliath Drawer Slides are easy to install and available in various lengths to suit a range of applications. Perfect for bathroom vanity, kitchen furniture, office furniture, home cabinet.

- Weight rated to 45kg
- Easy to install
- Additional ball bearings for a super smooth glide
- Screws included

Material

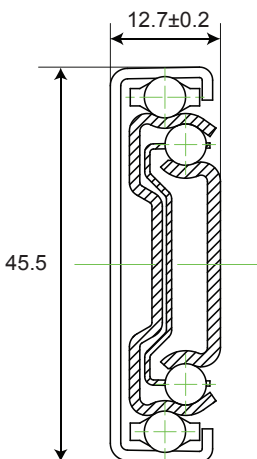
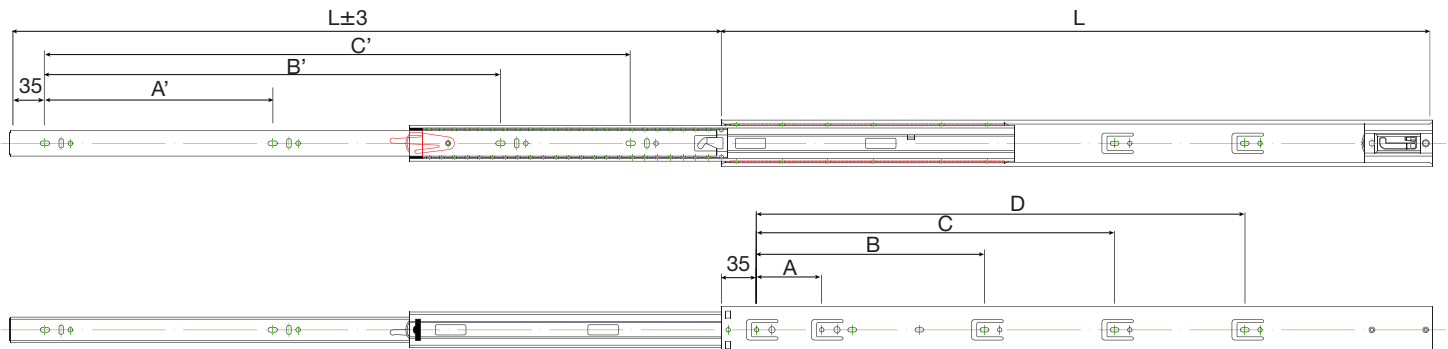
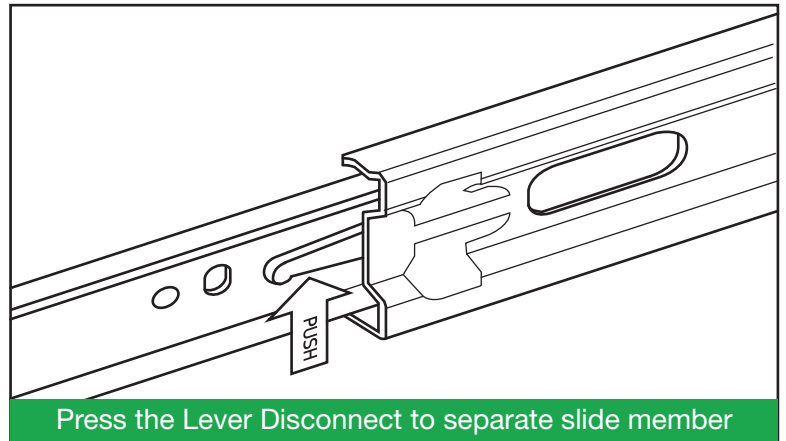
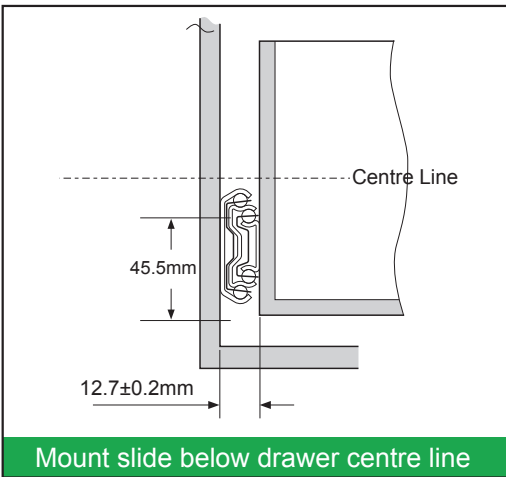
Steel

Finish

Zinc Plated

Features

- 45kg weight rating
- Full extension
- Profile: 45.5mmX12.7mm

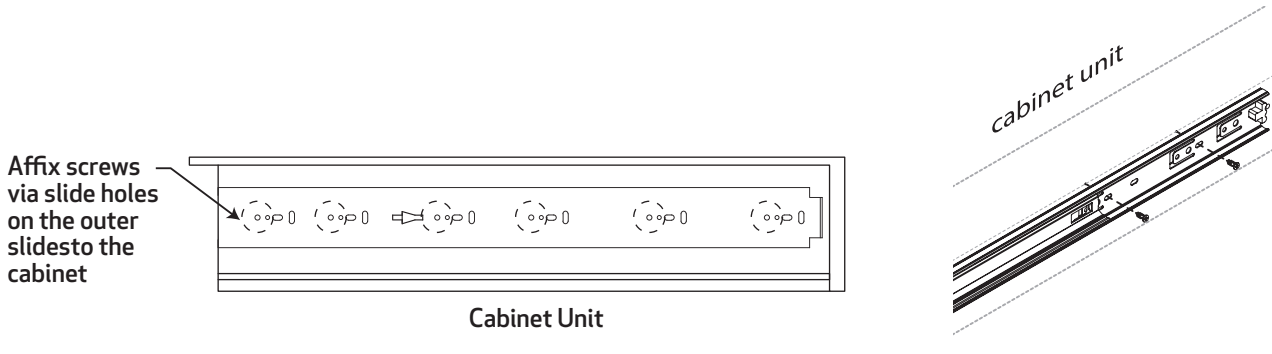


	L	A	B	C	D	A'	B'	C'
16"	400				224	128	288	
20"	500	224			352	192	384	

Installation Instructions

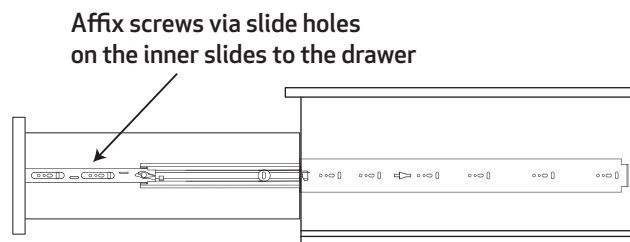
45kg Standard, 45kg Soft Close, 45kg Push To Open, 45kg Self Closing and 15kg Slimline

1. Screw fixing the slides to the inside of the cabinet unit through slide holes and make sure both slides are mounted vertically and horizontally parallel. Use as many screws as you think is necessary for the cabinet unit. Repeat to mount the second drawer slide on the opposite side of the cabinet.



2. Screw fixing the drawer unit to the cabinet unit through slides holes. When marking hole placements you **MUST NOT** drill through the slide holes during installation. Doing this will create metal filings which lodge in the tracks resulting in rough running and ultimately, failure of the slides.

Depending on substrate, stainless steel 'flat head' hex screws with NY-lock nuts or stainless steel rivets are recommended.



3. With the internal member attached to drawer unit and external member attached to cabinet unit, now it's time to place your drawer into the cabinet. The drawer should slide in without issue. If the slide does not fit, unfasten screws slightly and adjust slide members to correct position. Once this is done, repeat starting from step 1 for all remaining drawers.

Our slides are designed to be mounted horizontally and paired side by side. Mounting them vertically one above the other or in a flat position will void the warranty.

