

Goliath Drawer Slides are easy to install and available in various lengths to suit a range of applications. Perfect for tool boxes, caravans, industrial workstations, medical equipment and ute trays.

- Weight rated to 200kg
- Perfect for heavy duty applications and sheet metal
- Easy to install
- Additional ball bearings for a super smooth glide

**Material**

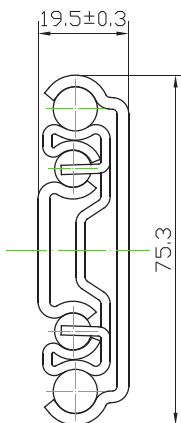
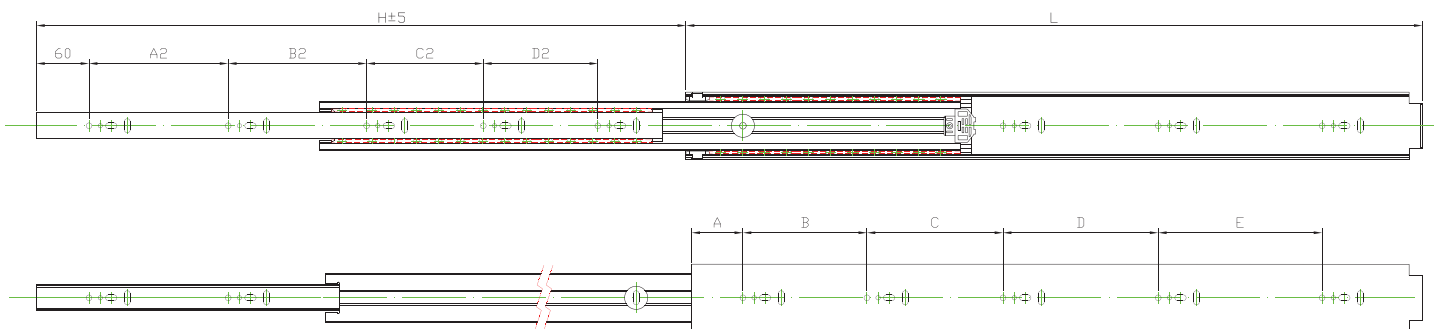
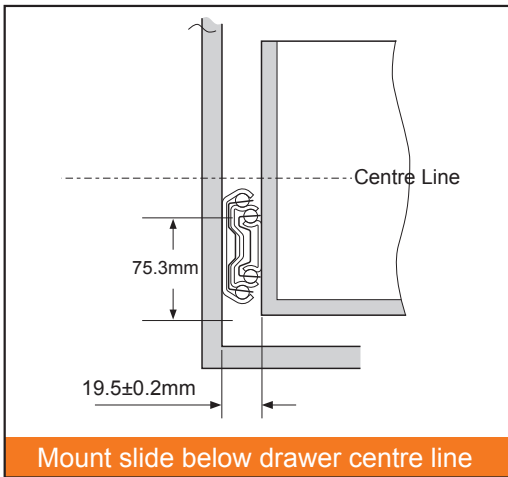
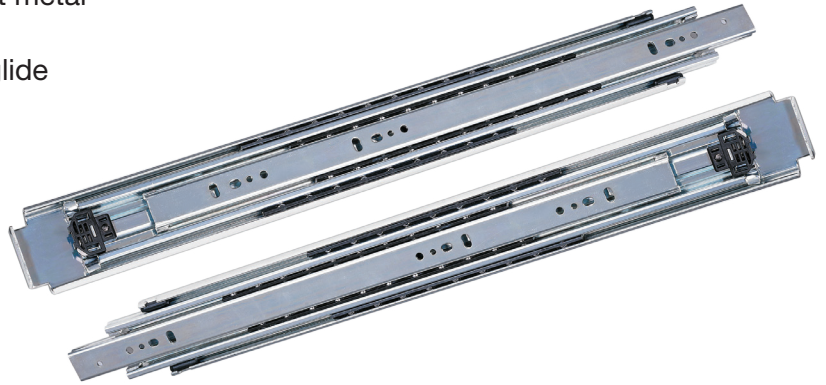
Steel

**Finish**

Zinc Plated

**Features**

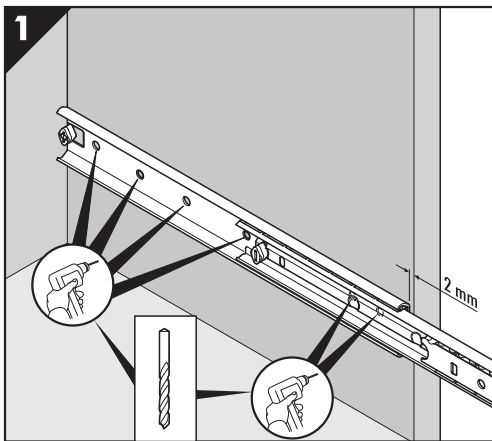
- 200kg weight rating
- Full extension
- Profile: 75.3mmX19.5mm



	H	L	A	B	C	D	E	A2	B2	C2
24"	600	600	50	256	192			288	128	
28"	700	700	50	160	192	192		128	224	160
32"	800	800	50	192	224	224		160	256	192
40"	1000	1000	50	192	256	224	160	192	352	256
48"	1200	1200	50	224	320	256	224	224	384	320
60"	1500	1500	50	320	384	288	320	320	480	416

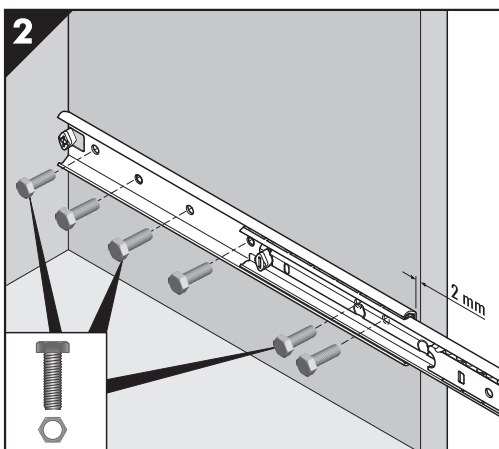
# Installation Instructions

90kg Heavy Duty, 90kg Heavy Duty Lockable, 200kg Extra Heavy Duty and 200kg Extra Heavy Duty Lockable



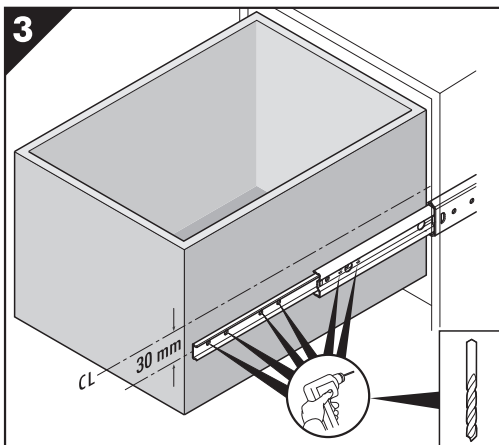
Marking holes to fix the external member of the slide to the cabinet.  
When marking hole placements you **MUST NOT** drill through the slide holes during installation. Doing this will create metal filings which lodge in the tracks resulting in rough running and ultimately, failure of the slides.

*Hole locations and quantity are indicative purpose only.*



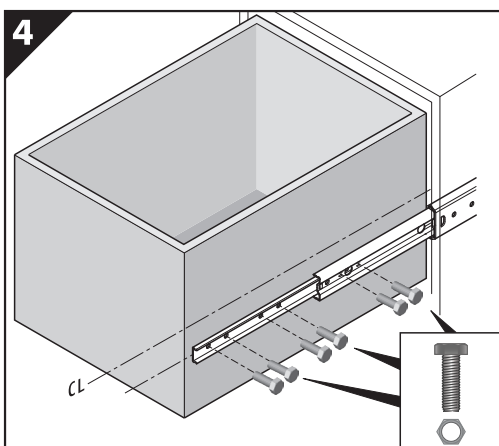
Affix nuts & bolts to the slides inside of the cabinet unit through slide holes and make sure both slides are mounted vertically and horizontally parallel. Use as many nuts & bolts as you think is necessary for the cabinet unit.

*The slides can also be welded to the cabinet depending on its application.*



Marking holes to fix the internal member of the slide to the drawer. When marking hole placements you **MUST NOT** drill through the slide holes during installation. Doing this will create metal filings which lodge in the tracks resulting in rough running and ultimately, failure of the slides.

*Hole locations and quantity are indicative purpose only.*



Affix nuts and bolts to the drawer unit. The drawer should slide in without issue.

Once this is done, repeat starting from step 1 for all remaining drawers.

Our slides are designed to be mounted horizontally and paired side by side. Mounting them vertically one above the other or in a flat position will void the warranty.

*The slides can also be welded to the cabinet depending on its application.*