

UES

Mudguards & Tailgate Hardware

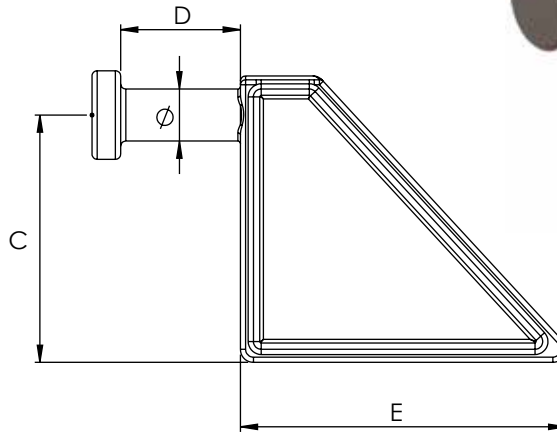
Tail Gate Pivots 20-010 → 20-016

MATERIAL

Steel

FINISH

Black



Pivot					
	C	D	E	Ø	kg
20-010	95	45	125	20	1,150
20-012	95	46	126	24	1,200
20-014	100	46	130	30	1,700
20-016	102	55	132	40	2,400

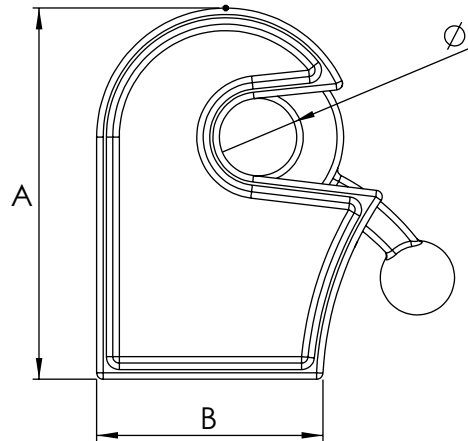
Tail Gate Latches 20-009 → 20-015

MATERIAL

Steel

FINISH

Black



Latch				
	A	B	Ø	kg
20-009	115	70	20	1,400
20-011	115	70	24	1,380
20-013	120	78	30	1,950
20-015	140	100	40	2,930

Mudflaps

1009 - 3024

MATERIAL

Injection Moulded
UV Stabilised Flexible PVC

FEATURES

Plastic mud guard flap give adequate reflective surface for the first time, to single wheel flaps.

Customer's brand or initials can be inserted for minimum runs of 50 flaps at nominal price increase.
Tooling costs apply.



WHITE	HEIGHT X WIDTH
Part No.	Size
1009	10 x 9 (250x230mm)
1218	12 x 18 (310x455mm)
1324	13 x 24 (330x610mm)
1818	18 x 18 (455x455mm)
1824	18 x 24 (455x610mm)
2424	24 x 24 (610x610mm)
3024	30 x 24 (760x610mm)

WHITE	HEIGHT X WIDTH
Part No.	Size
1009B	10 x 9 (250x230mm)
1409M4X4	14 x 9 (355x230mm) with "4 x 4" logo
1112B	11 x 12 (280x300mm)
1112M4x4	11 x 12 (280x300mm) with "4 x 4" logo

Mudguard - Flat Top D3715

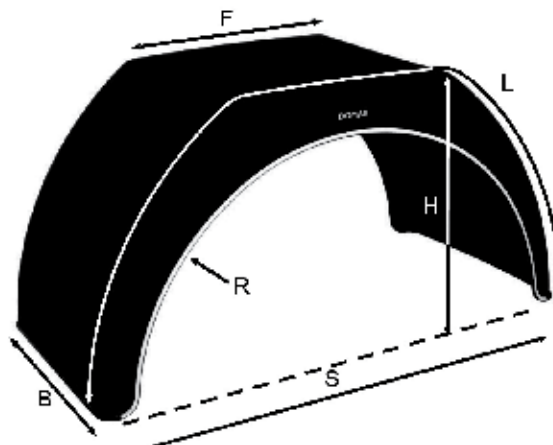
B	L	R	S	H	F
450	1480	400	920	460	400

MATERIAL

Plastic

FINISH

Black



Mudguard Adjustable Support DK8150

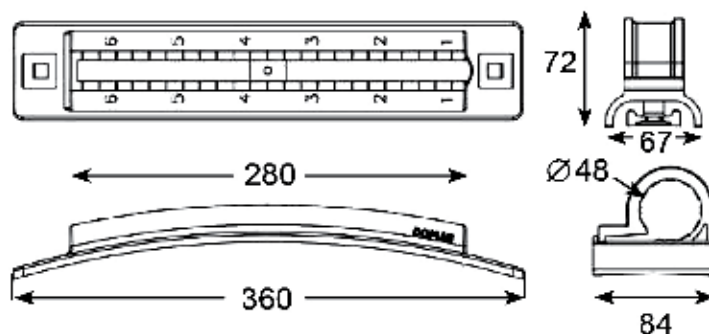


MATERIAL

Plastic

FINISH

Black



Swing Hinge Kits

S8300-1500/1000, S8500-1050/18

MATERIAL

Steel

FINISH

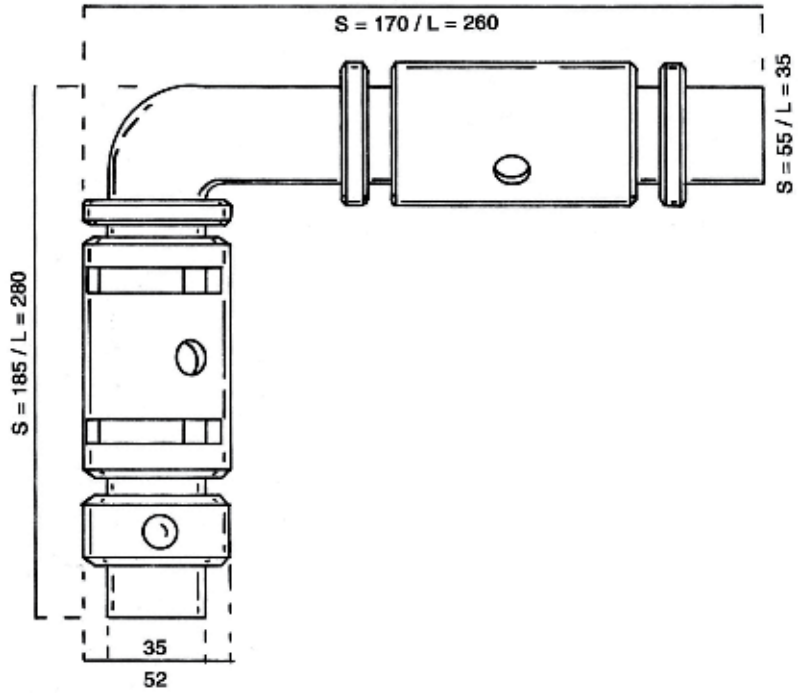
Black

FEATURES

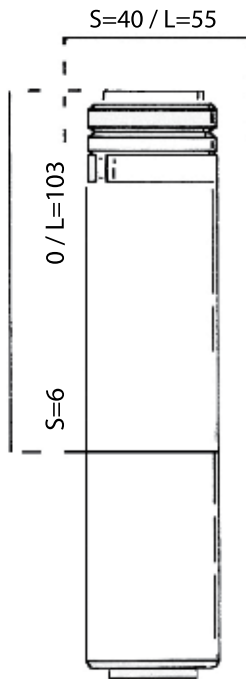
S8300-1500/1000: Small - 25mm

S8500-1050/18: Large - 35mm

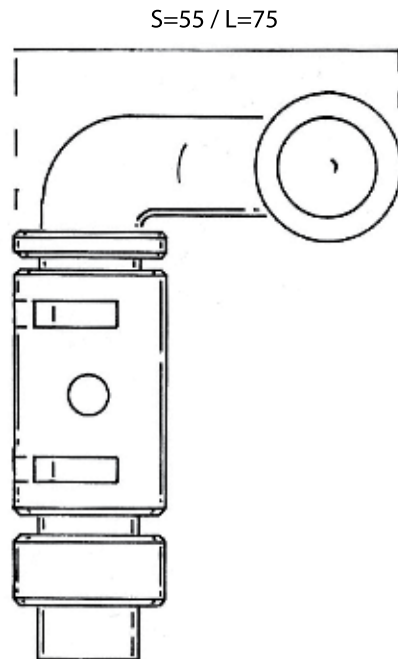
Australian Made



Top Hinge



Bottom Hinge



Side View

Multi Purpose Corner Sideboard Fasteners Kit 33136, 33137, 33138, 33139, 33140

MATERIAL

Cold Formed Steel

FINISH

Raw

WEIGHT

313g

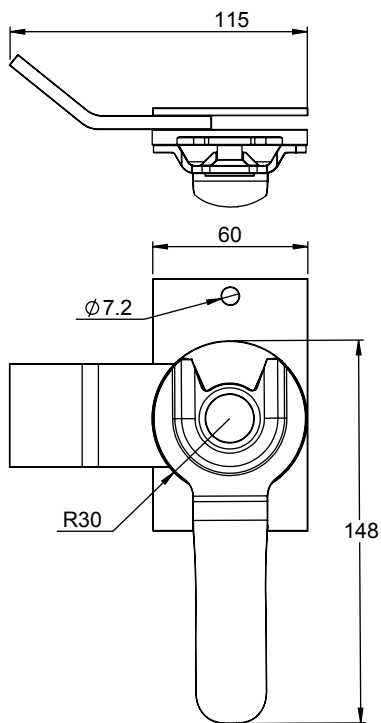
PARTS

33136:

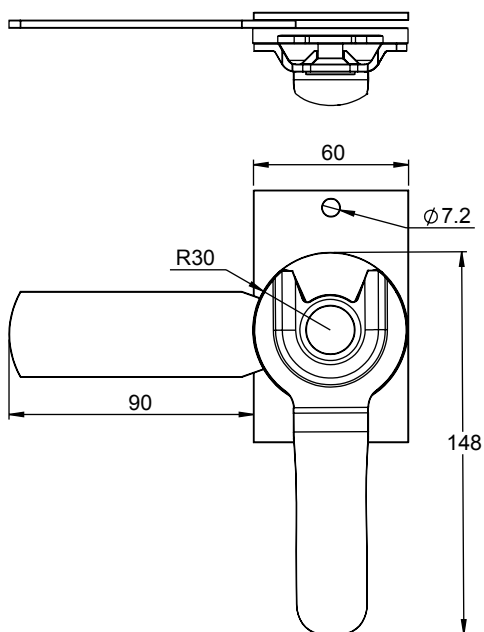
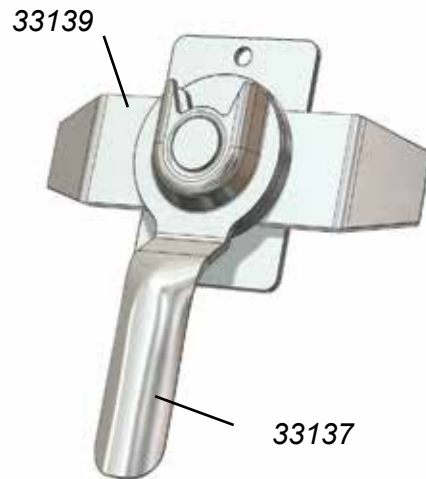
- 33137 (Handle only)
- 33139 (Bent tongue only)

33138:

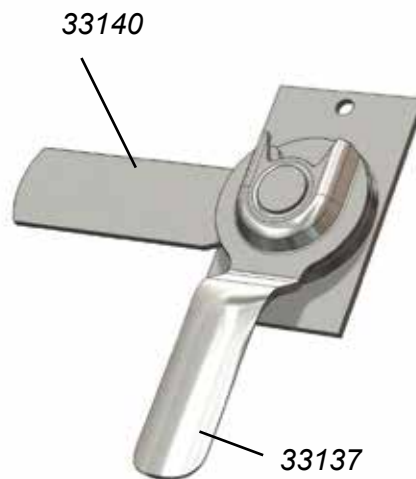
- 33137 (Handle only)
- 33140 (Straight tongue only)



Kit 33136:



Kit 33138:



Mini Corner Sideboard Fasteners

33198, 33199, 33200, 33201, 33202, 33203

MATERIAL

Cold Formed Steel

FINISH

Zinc

WEIGHT

525g (each kit)

PARTS

33198 kit:

- 33199 (x1) Left hand handle
- 33200 (x1) Right hand handle
- 33202 (x2) Bent tongue



33201 kit:

- 33199 (x1) Left hand handle
- 33200 (x1) Right hand handle
- 33203 (x2) Straight tongue



33200



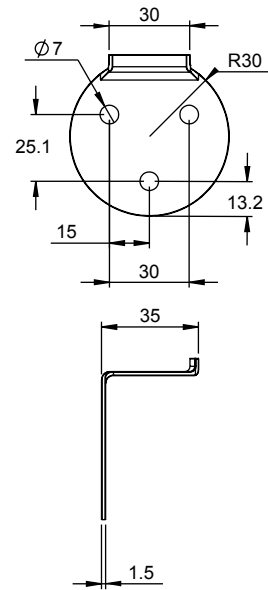
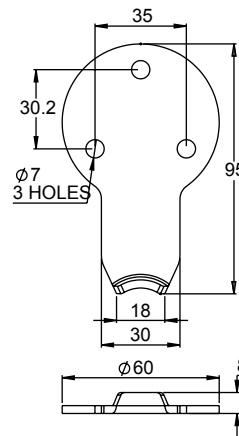
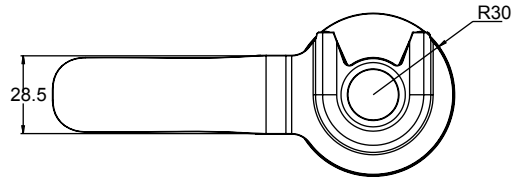
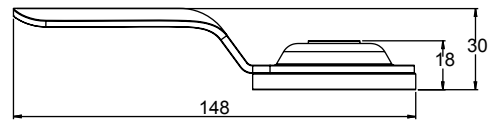
33199



33203



33202



Multi Purpose Corner Sideboard Fasteners Kit 33212, 33213, 33214, 33212B

MATERIAL

Cold Formed Steel

FINISH

Raw

WEIGHT

980g

PARTS

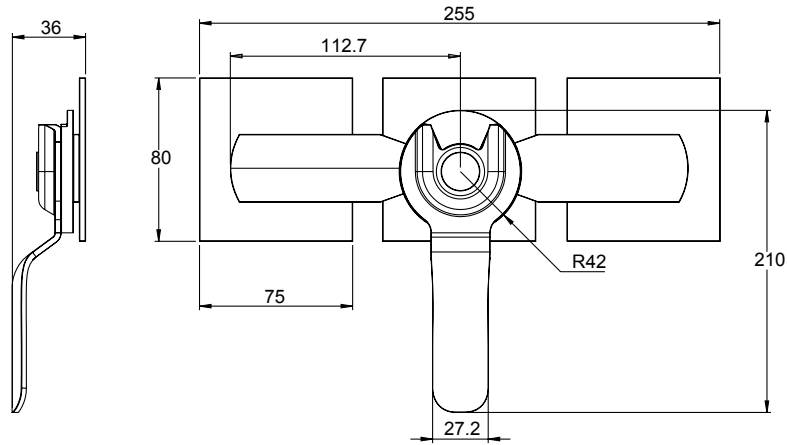
33213 kit:

33214 (x1) Handle w/ backing plate

33212 (x2) Tongue w/ backing plate

ALSO AVAILABLE:

33212B Tongue w/o backing plate



Heavy Duty Corner Fastener UES051197

MATERIAL

Steel

FINISH

ZP

WEIGHT

744g

