



UES

Mirrors

Mirror Head - Flat Glass w/ Convex Spotter 20-716-00, 20-717-00

MATERIAL

Impact Resistant ABS

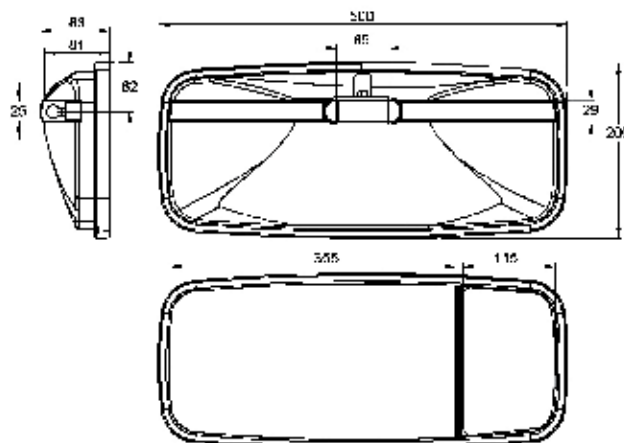
FINISH

Black

FEATURES

20-716-00 - Right Hand mirror

20-717-00 - Left Hand mirror



Interior Mirror

DT226

MATERIAL

Steel

FINISH

White Powdercoated

FEATURES

Convex mirror, complete with bracket, 30cm diameter.



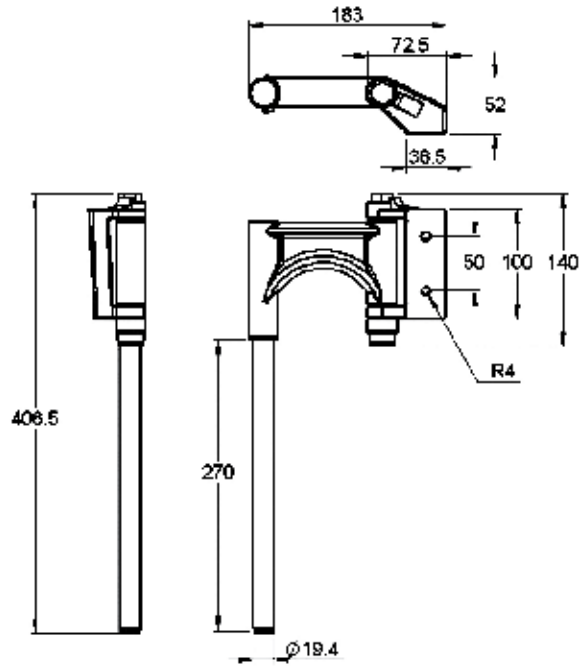
Mirror Arm Short 20-355-00

MATERIAL

Die-cast zinc, Steel

FINISH

Black Powder Coated



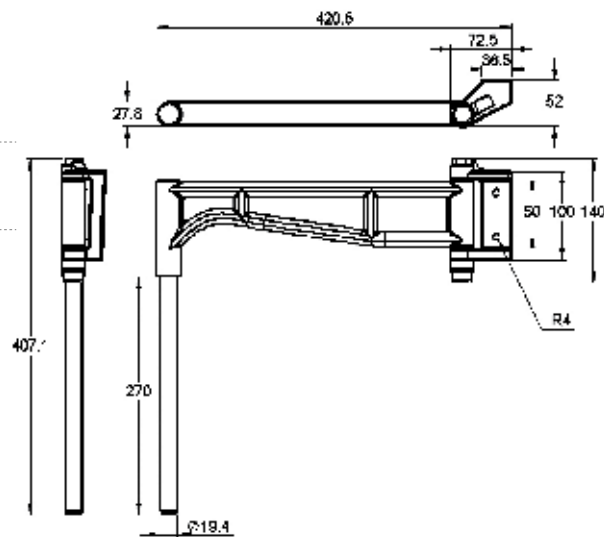
Mirror Arm Long 20-669-00

MATERIAL

Die-cast Zinc, Steel

FINISH

Black Powder Coated



Mirror Head - Flat Glass & Spotter M922CEH

MATERIAL

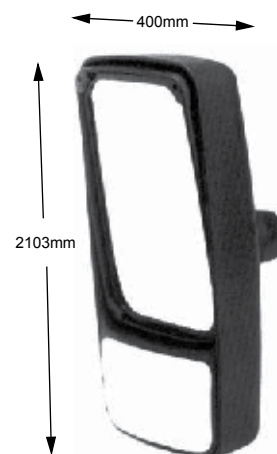
Impact Resistant ABS

FINISH

Black

FEATURES

Electrical
Suits 16-28mm Arms
Available in 24V heated version



Mirror Head

UES1409, UES1409C

MATERIAL

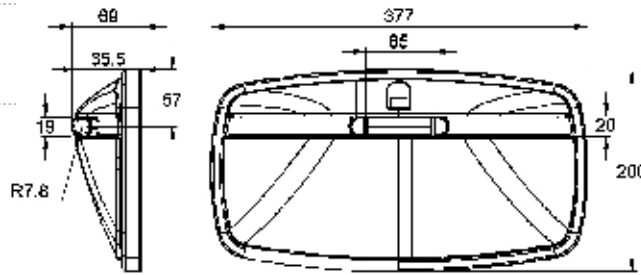
Impact Resistant ABS

FINISH

Black

FEATURES

UES1409 - Flat glass
UES1409C - Convex glass



Mirror Head

UES1410, UES1410C

MATERIAL

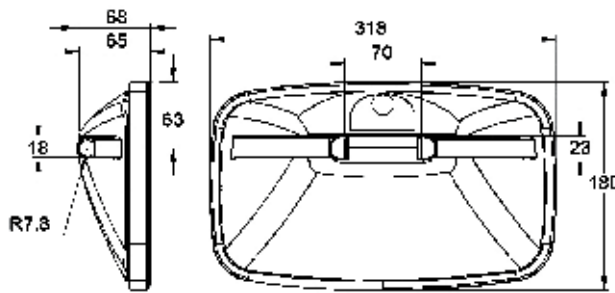
Impact Resistant ABS

FINISH

Black

FEATURES

UES1410 - Flat glass
UES1410C - Convex glass



Mirror Head - Flat Glass w/ Convex Spotter

UES1411D, UES1411E

MATERIAL

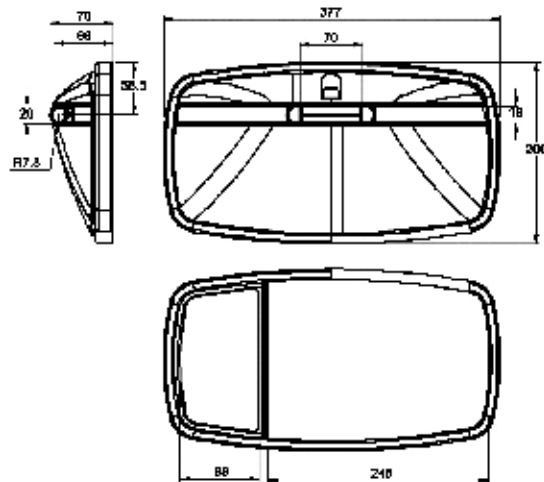
Impact Resistant ABS

FINISH

Black

FEATURES

UES1411D - Right Hand mirror
UES1411E - Left Hand mirror



Mirror Head - Convex Glass

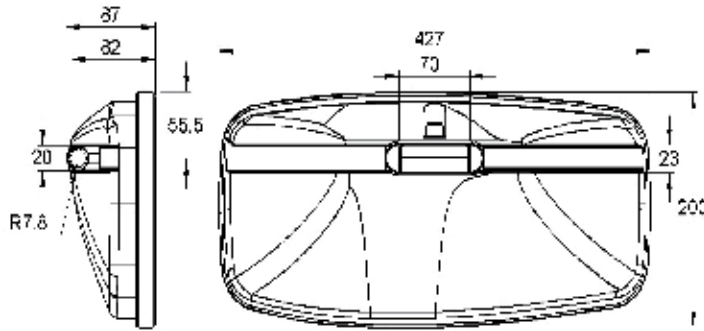
UES1415C

MATERIAL

Impact Resistant ABS

FINISH

Black



Mirror Head - Flat Glass w/ Convex Spotter

UES1416D, UES1416E

MATERIAL

Impact Resistant ABS

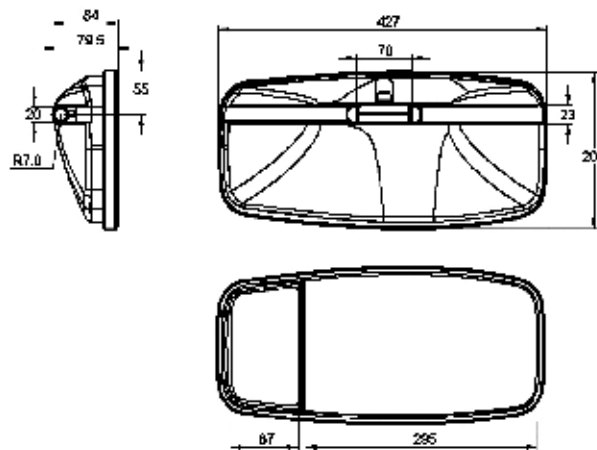
FINISH

Black

FEATURES

UES1416D - Right Hand mirror

UES1416E - Left Hand mirror



Mirror Head

M714FE, M714CE

MATERIAL

Impact Resistant ABS

FINISH

Black

FEATURES

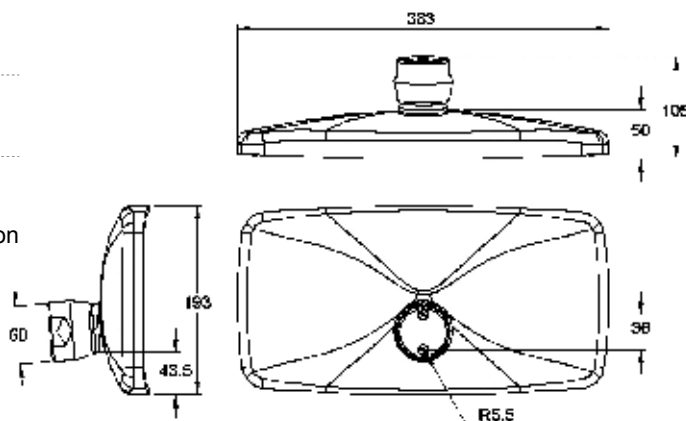
Manual

Suits 16-28mm Arms

Available in 24V heated version

M714FE - Flat Glass

M714CE - Convex Glass



Unbreakable Mirrors

VM Series

MATERIAL

Body and Clamp - UV Stabilized Glass filled Nylon. Designed to minimise vibration and to cut down wind buffeting.

Lens - Injection moulded optical grade Polycarbonate. The lens will not discolour and yellow with exposure to sunlight. Each lens is protected by a special coating, which provides scratch resistance and will repel condensation and surface water.

FINISH

Black

FEATURES

VM100Y - Comes in Yellow



VM1

VM2

Model	Heated		Motorised		Class	Mounting Arm Diameters
	12V	24V	12V	24V		
VM1					Class II	16mm - 32mm
VM1H	X	X			Class II	16mm - 32mm
VM1M	X	X	X	X	Class II	16mm - 32mm
VM2					Class II	10mm - 32mm
VM3					Class IV	10mm - 32mm
VM100						10mm - 32mm
VM100H		X				10mm - 32mm
VM100M-CMK2		X			Class II	16mm - 46mm
VM100M-FMK2		X			Class II	16mm - 46mm
VM100Y					Class II	16mm - 46mm

VM-injection moulded using polycarbonate and lacquer costing. Reflectivity 85%

Lens Radius	VM1-2200mm VM2-1500mm VM3-600mm VM4-300mm VM50-400mm VM100-1600mm		
Sizes	VM1 Series VM2 Series VM3 Series VM4 Series VM100 Series VM50 Series	Body Size in mm 309 x 209 221 x 159 221 x 159 222 x 222 400 x 197 280 x 230	Body Size in mm 12.16 x 8.22 8.7 x 6.25 8.7 x 6.25 8.9 x 8.9 15.7 x 7.75 11.02 x 9.05
Body Parts	Body and cap-ultra Violet stabilised ploypropylene. Housing-Ultra Violet stabilised glass reinforced nylon. Continuous flat aluminium foil circuit on polyester film.No thermostat required.		
Heaters	VM1 VM2 VM3 VM4 VM 50 VM100	35 watts 20watts 20watts 35watts 20watts 30 watts	Current 12 volt 2.91A 1.66A 1.66A 2.9A 1.66A
Motors	Fitted to VM1M & VM4M Voltage Current in Travel Current End Travel Travel Angle Motor Life EMI Working temp.range	12 volt and 24 volt DC < 80mA (12V) < 400mA (12V) < 20 deg.Total >21000cycles Din class 0 -40° C to +120° C	< 130mA (24V) < 200mA (24V)
Conductors	All wiring to DEF 61-12 PT 6 Type 2; General inning to BS 4808 16/0.2mm; Heater cables to BS 4808 24/0.2mm		
Temp.Range	All models tested to -30° C to + 80° C		
Weights	VM1 VM1M VM2 and VM3 VM4 VM4M VM 50 VM100	Approx x1.26kg Approx x0.36kg Approx x1.00kg Approx x1.50kg Approx x0.7kg Approx x1.4kg	
Approvals	British standard VCA (Vehicle Certification Agency) EEC approvals Electrical Approvals	ISO BS EN 9001:2000 Type Approval EC directive 127/71 UL, CSA, VDE	

