

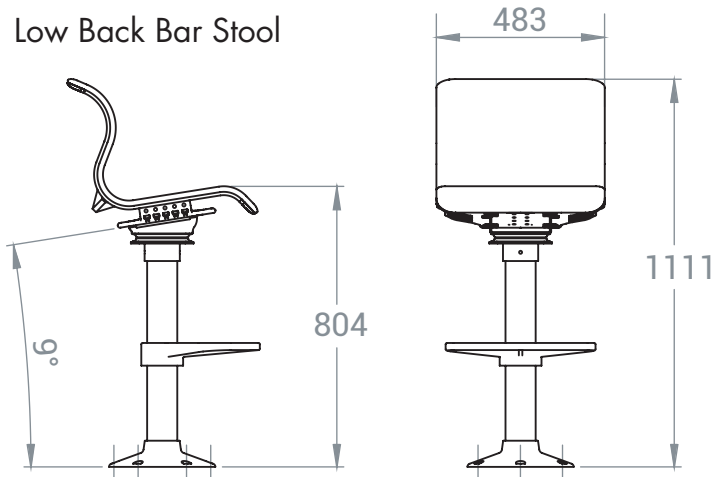
BAR STOOL



- Customisable height from deck
- 360° swivel and return
- Optional footrest
- Ergonomic design
- Two standard widths
- Low unit weight
- Minimal fire load
- USCG Type Approval compliant
- Subchapter K fire load compliant

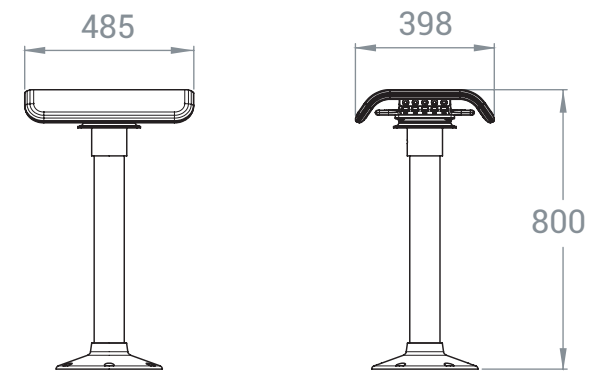


Low Back Bar Stool



DESIGN • MANUFACTURE • SUPPLY

Bar Stool



UES
seating